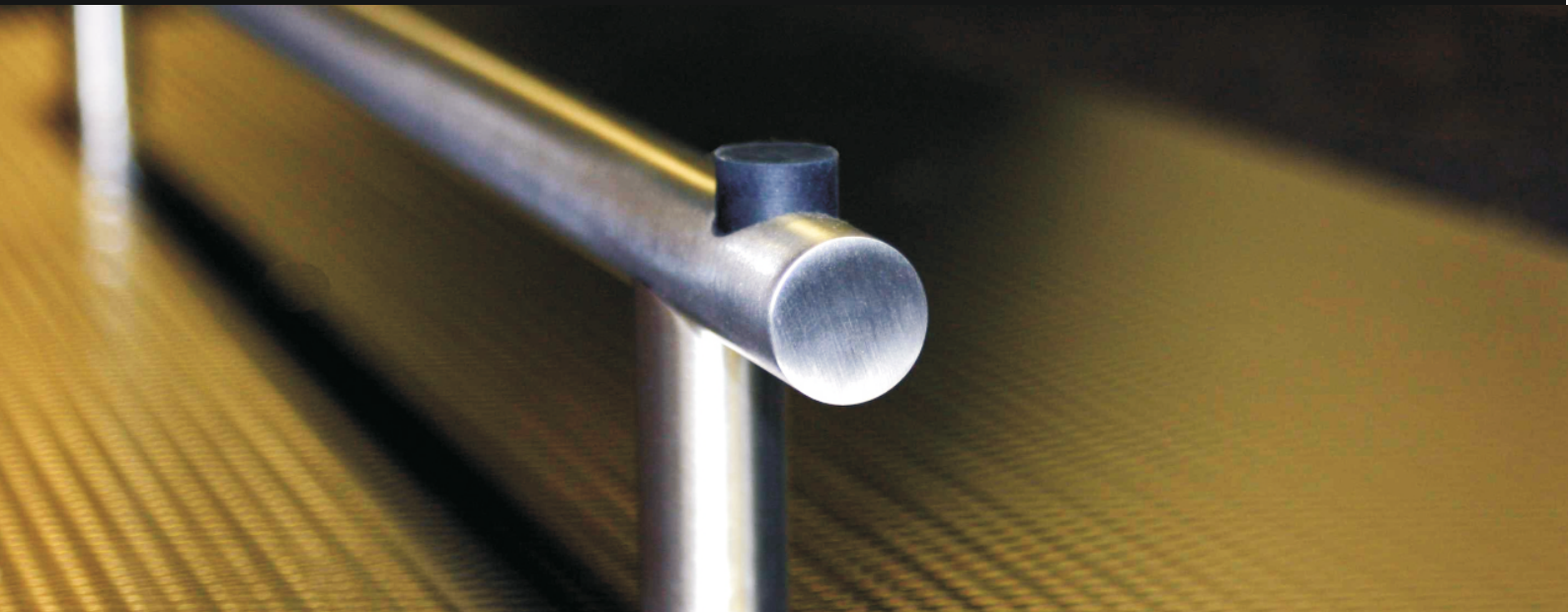
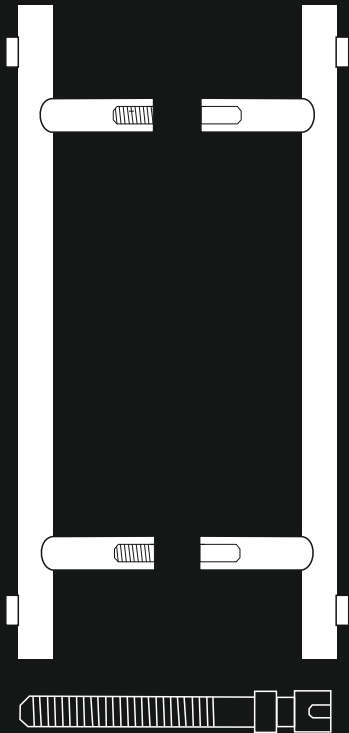


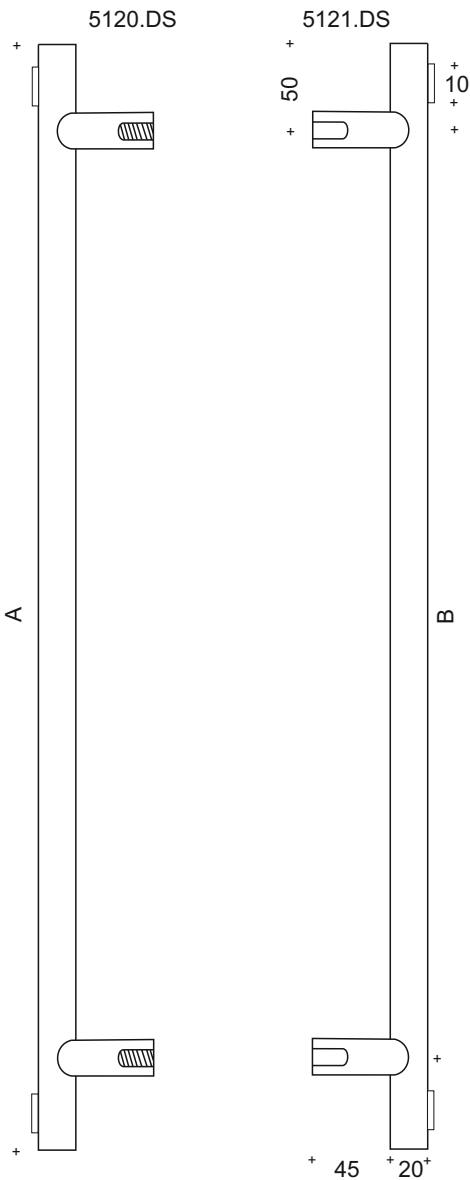
Pole Handle Incorporated Door Stop



See full details next page

Finishes : SS, PS, PB, BZ, SAA

Pole Handles
Bespoke sizes manufactured.



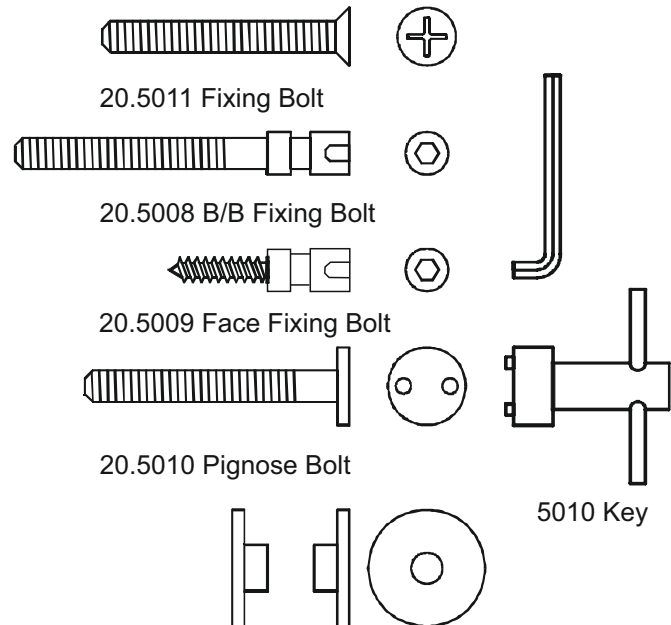
A : 1000mm B : 900mm c/c
A : 600mm B : 500mm c/c
A : 500mm B : 400mm c/c
A : 400mm B : 300mm c/c

Pole Handle Specification Examples
Code/Dia/Finish

: Pair of B to B fixing pull handle
1 No 20.5120.DS.500
1 No 20.5121.DS.500
2 No 20.5008
(1 No 20.5013 if glass door)

: Single bolt through pull handle
1 No 20.5120.DS.500
2 No 20.5011.DS.500
(Alternative pig nose bolt 20.5010)

: Single face fixing pull handle
1 No 20.5117.DS.500
2 No 20.5009.DS.500



20.5013 Nylon washer
for glass door

Code Illustration

20.5120.DS.500.SS = Satin stainless steel

Finishes : SS, PS, PB, BZ, SAA